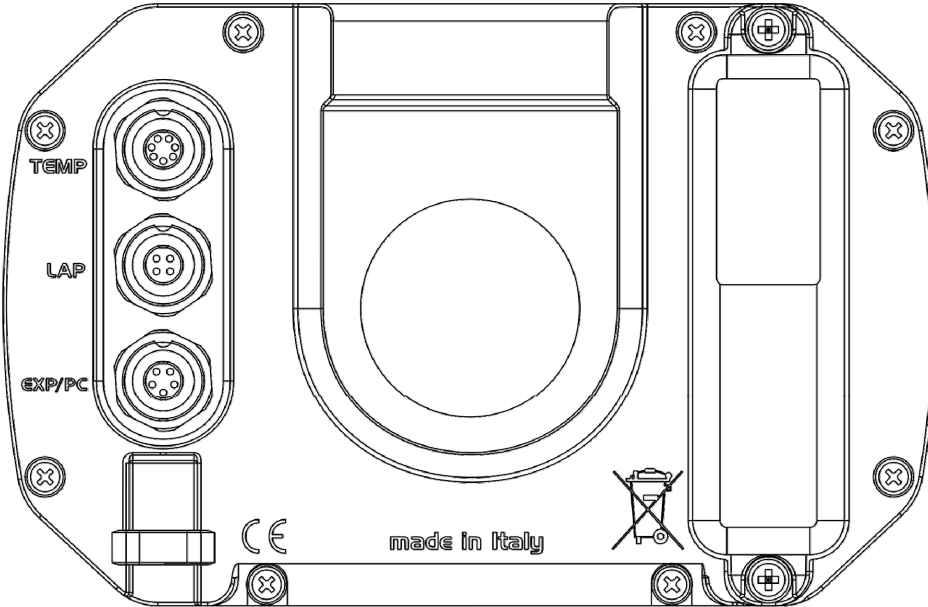






N. rev. / Rev. N.	Descrizione / Description	Data / Date	Firma / Signature	Contr. da / Ckd. by
-------------------	---------------------------	-------------	-------------------	---------------------

**MyChron5 - 2T pinout**



TEMP 3 pins Binder 712 female connector (external view)	LAP 4 pins Binder 712 female connector (external view)	EXP/PC 5 pins Binder 712 female connector (external view)
		
1 - Thermocouple 1 2 - GND 3 - Thermocouple 2 4 - GND 5 - Thermoresistor 1 6 - GND 7 - Thermoresistor 2	1 - Magnetic Lap 2 - GND 3 - +Vbattery 4 - Optical Lap	1 - CAN+ Exp 2 - GND 3 - +Vbout CAN 4 - CAN- Exp 5 - +Vbext CAN

Rif. / Ref.	Q.tà/Q.ty	Material / Material	N. articolo / Item N.		
Progettato da / Designed by	Contr. da / Ckd. by	Approvato da / Approved by	Nome file / File name	Data / Date	Scala / Scale
		Titolo / Title			
		Pinout MyChron5			
N. disegno / Drawing N.			Rev. / Rev.	Foglio / Sheet	
				1 of 1	