

AiM User manual

Tire temperature brackets kit for kart

Release 1.00

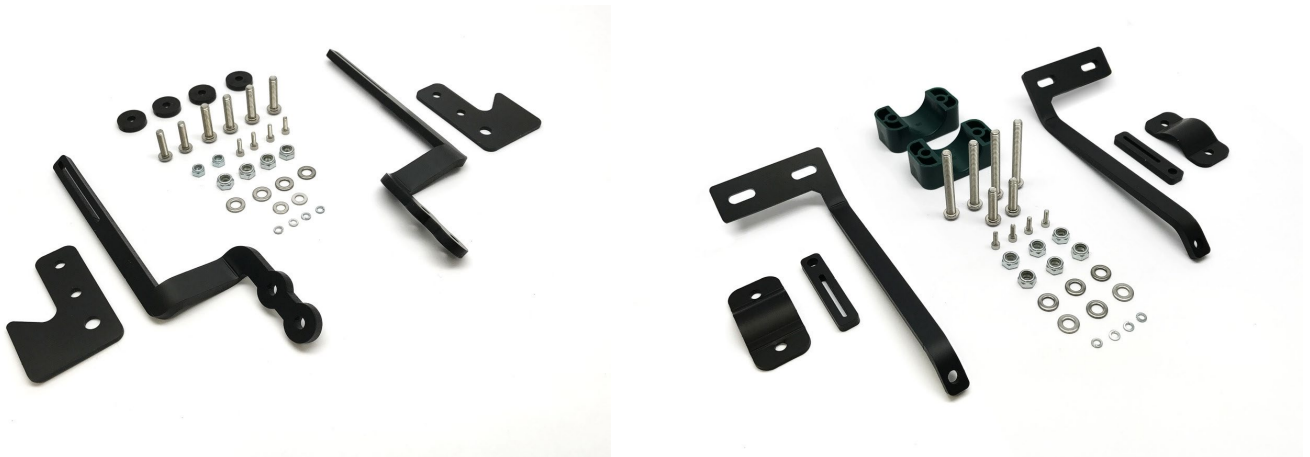


1

Introduction

This user guide explains how to install the Tire temperature sensors brackets. They are shown here below: rear brackets on the left and front brackets on the right.

The part number of the whole kit is: **X90KSTTS0**



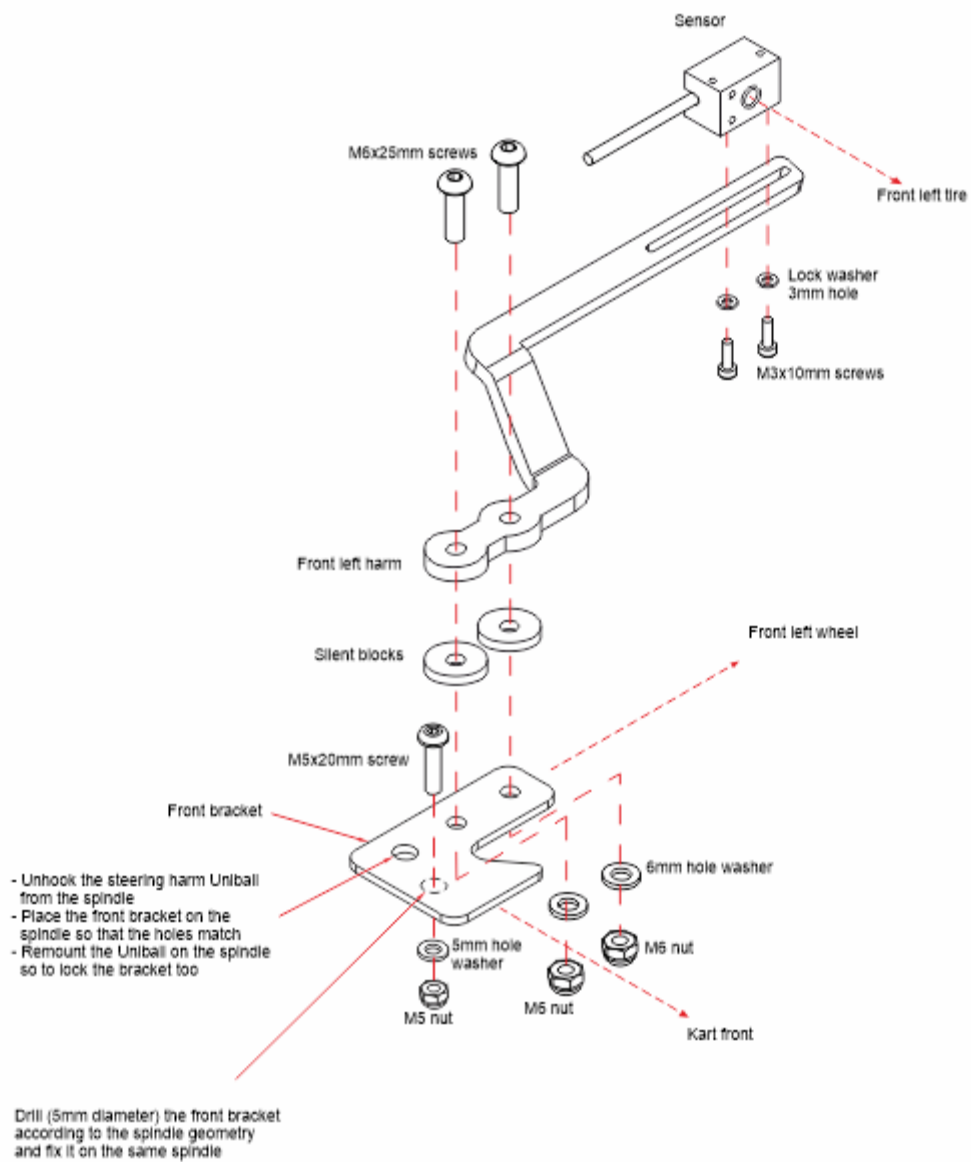
2

Assembly

The images in the following pages show how to mount the brackets.

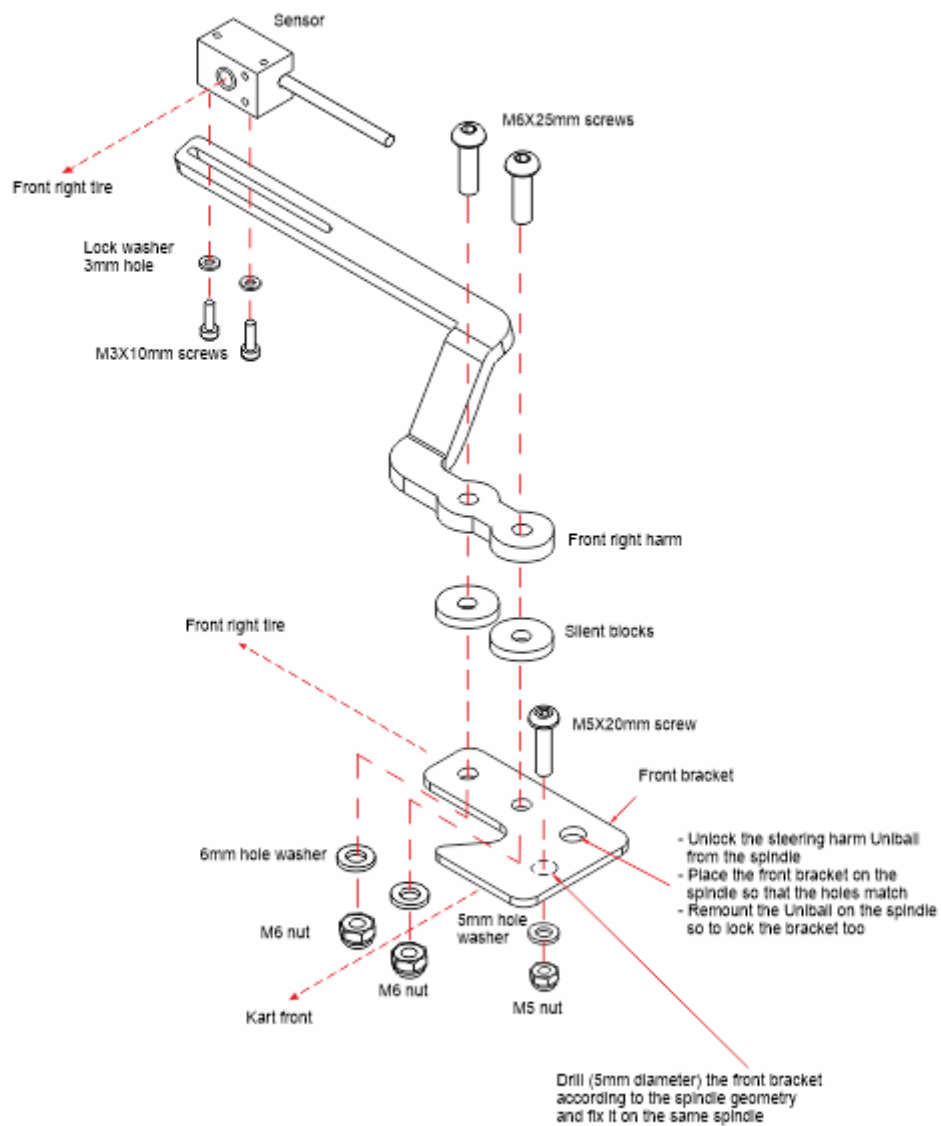
Front left.

Mounting of brackets for infrared tire temperature sensor - front left tire



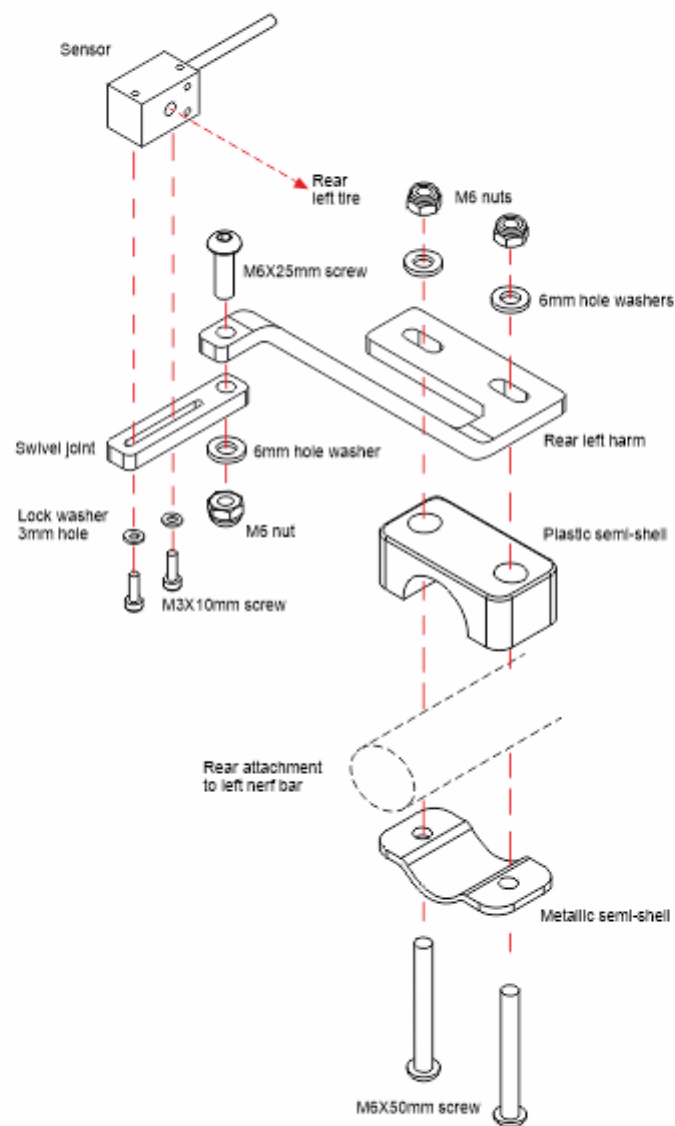
Front right

Mounting of bracket for infrared tire temperature sensor - front right tire



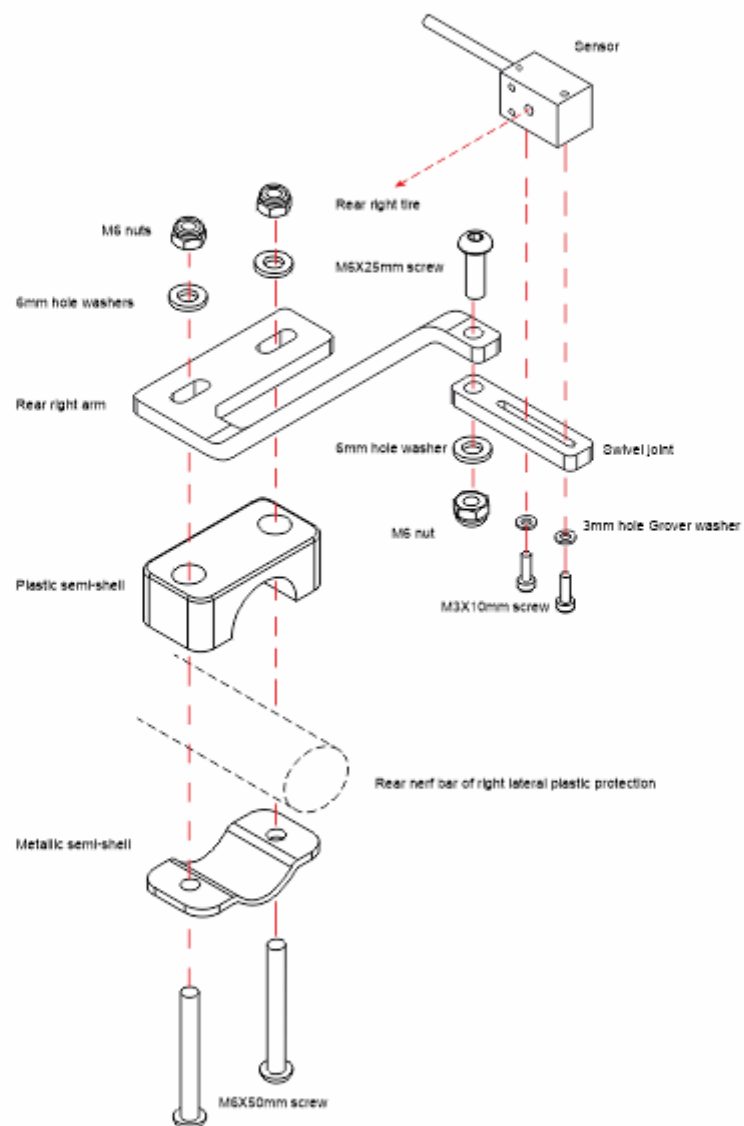
Rear left

Mounting of brackets for infrared tire temperature sensor - rear left tire



Rear right

Mounting of brackets for infrared tire temperature sensor - rear right tire



3 Dimensions

The drawing here below shows brackets dimensions in millimetres [inches]:

