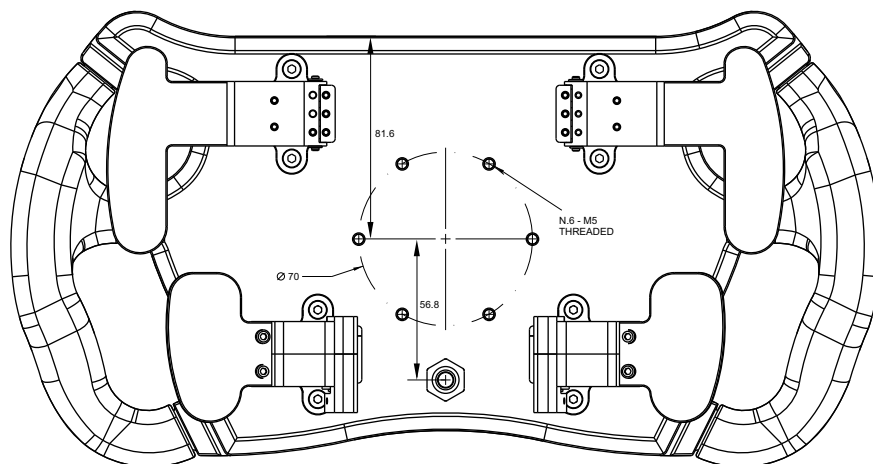
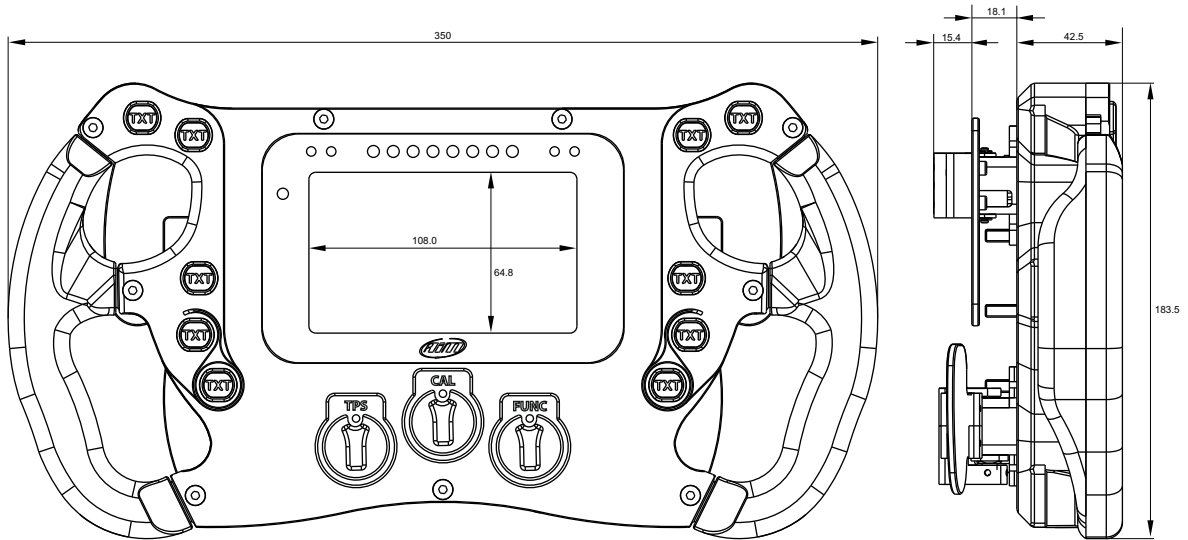




# AiM SW4 350

## Steering Wheel





# AiM SW4 350

## Steering Wheel

### Technical specifications

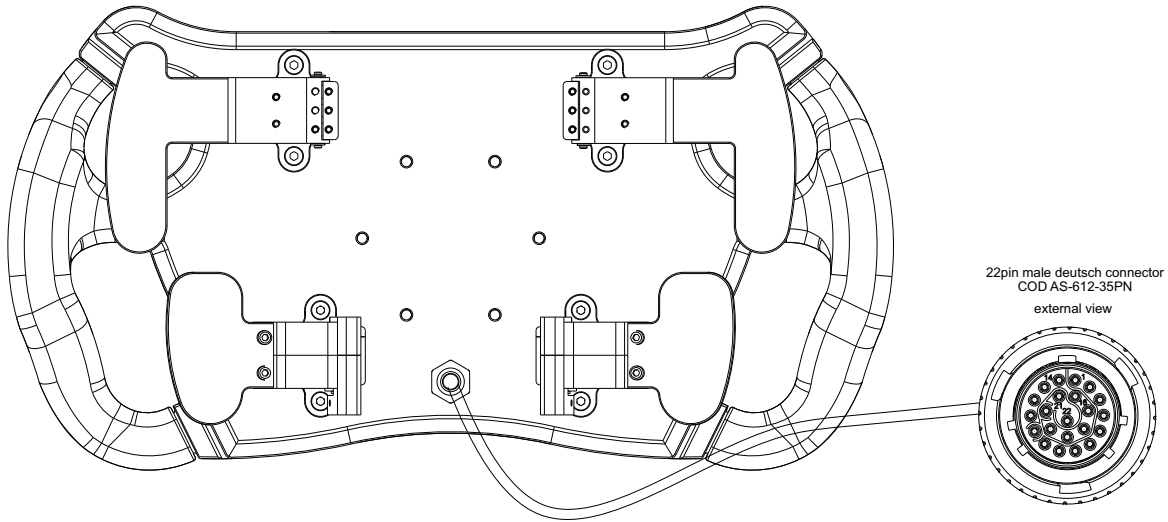
<b>Display</b>	5" TFT
<b>Resolution</b>	800x480 pixels
<b>Contrast</b>	800:1
<b>Brightness</b>	800 cd/m2 - 1,200 Lumen
<b>Ambient light sensor</b>	Yes
<b>Alarm display icons</b>	Yes, freely configurable
<b>Shift Lights</b>	8 configurable RGB LEDs
<b>Alarm LEDs</b>	4 configurable RGB LEDs
<b>CAN connections</b>	3
<b>ECU connection</b>	CAN
<b>ECU compatibility</b>	1,000+ industry leading ECUs
<b>Expansion CAN connection</b>	GPS09c, Channel Expansion, TC Hub, Lambda Controller, SmartyCam 3 RIO02, Shift Light Module, GS-Dash, Memory Module
<b>Internal memory</b>	4 GB
<b>Body</b>	Anodized Aluminum
<b>Pushbuttons</b>	10 pushbuttons + 3 rotary switches (all with RGB backlights)
<b>Connectors</b>	1 Deutsch Autosport 22 pin male connector
<b>Dimensions</b>	350 x 183.5 x 42.5 mm
<b>Weight</b>	2,600 g
<b>Power consumption</b>	500 mA
<b>Waterproof</b>	IP65



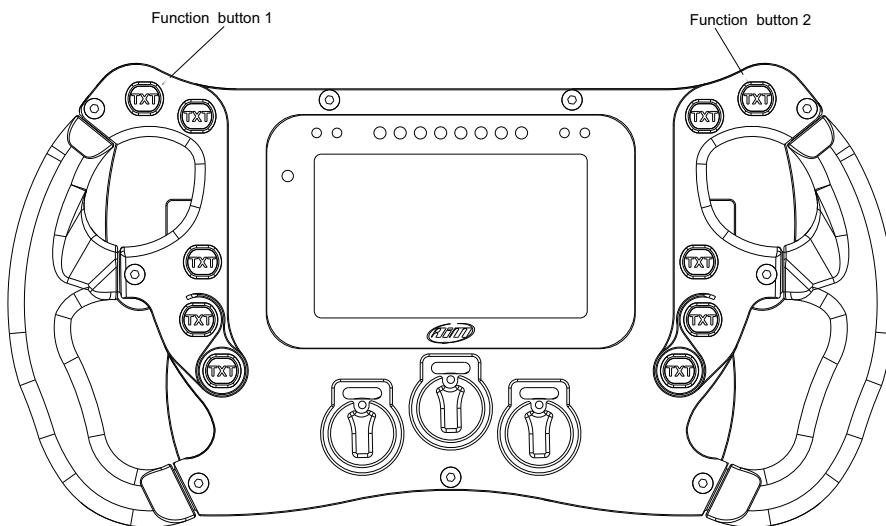
# AiM SW4 350

## Steering Wheel

### Pinout



PIN	SIGNAL
1	9-15V Power in
2	CAN ECU+
3	CAN ECU-
4	Paddle sh Left
5	Paddle sh Right
6	Paddle sh COM
7	Function button 2
8	CAN 2+
9	CAN 2-
10	Function button 1
11	USB D+
12	USB D-
13	CAN AIM+
14	GND
15	CAN AIM -
16	RPM
17	NC
18	Function button 2
19	GND
20	Function button 1
21	+Vbext CAN
22	+Vbout CAN



All other push buttons and all rotary switches on CAN BUS