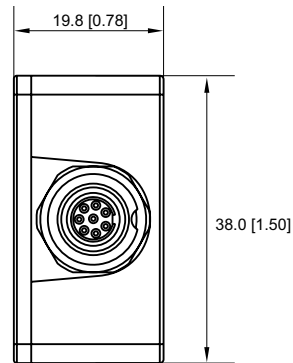
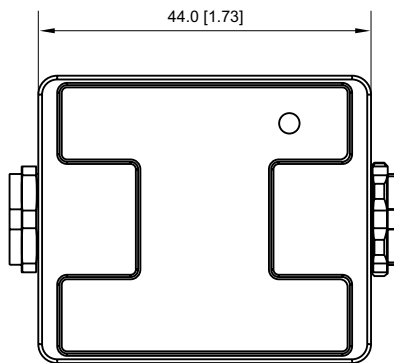
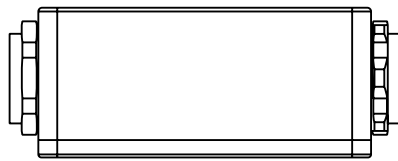
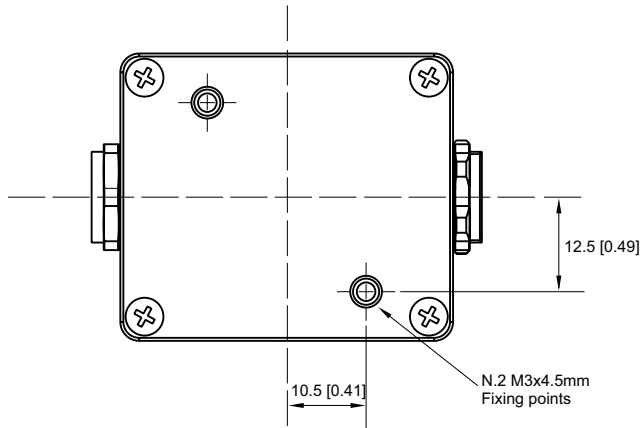




AiM ACC3 Open

Analog CAN Converter Open version



Dimensions in mm [inches]



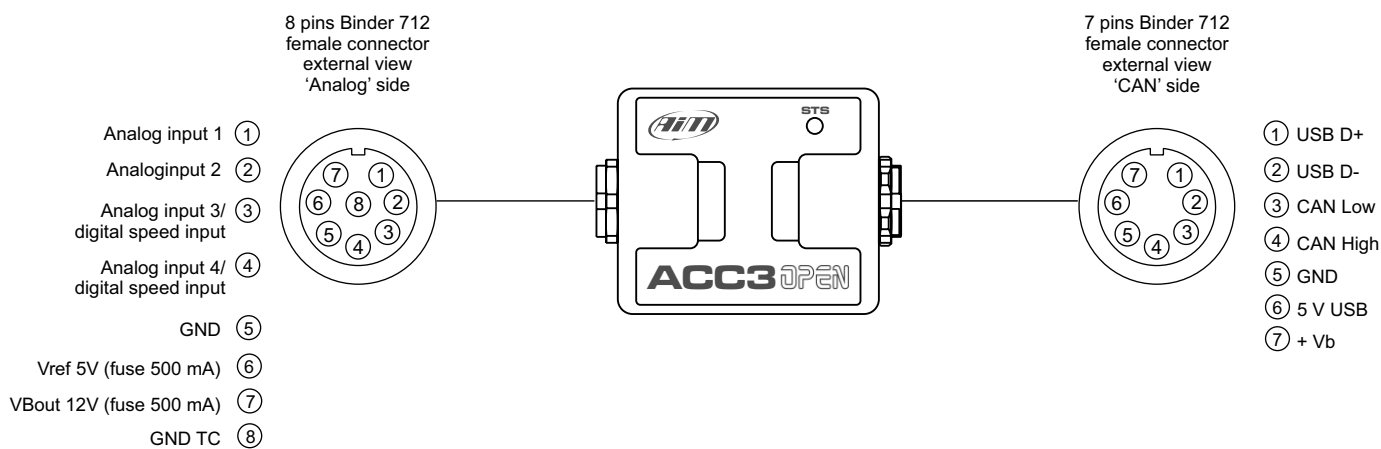
AiM ACC3 Open

Analog CAN Converter Open version

Technical specifications

Analog channels	4 fully configurable channels, 1 kHz each: TC, TR, 0÷5 V, 0÷12 V Two inputs may be configured also as speed input channels
Speed inputs	2 (AN3-AN4), max frequency 10 kHz, internal pull-up for open drain/collector input
External power	9÷15 V
Connections	CAN, USB
Connectors	2 Binder 712 female connectors
Material	PA6 30% glass
Dimensions	44.0 x 38.0 x 19.8 mm
Weight	50 g
Waterproof	IP65

Pinout

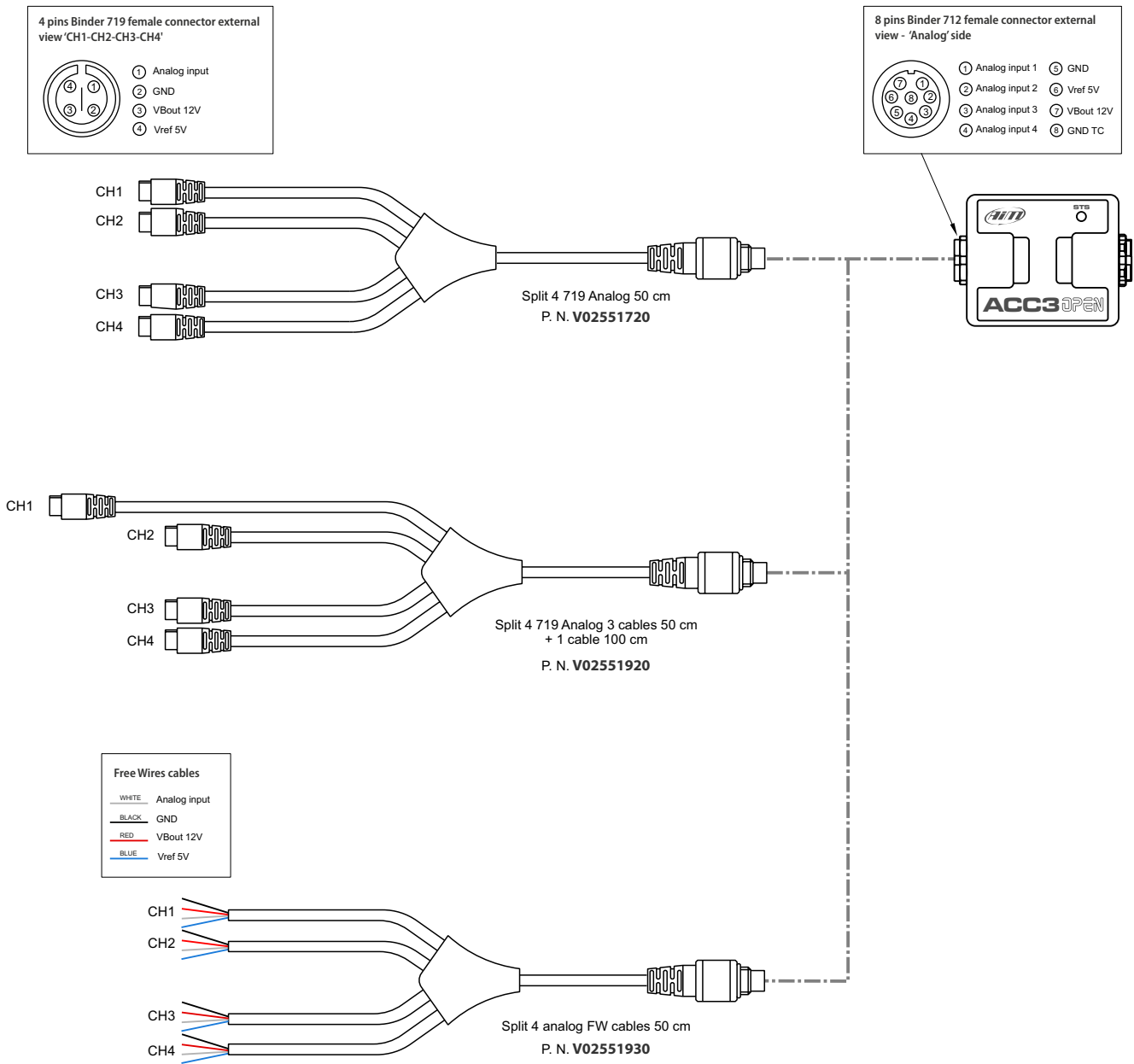




AiM ACC3 Open

Analog CAN Converter Open version

Connections: analog side 1

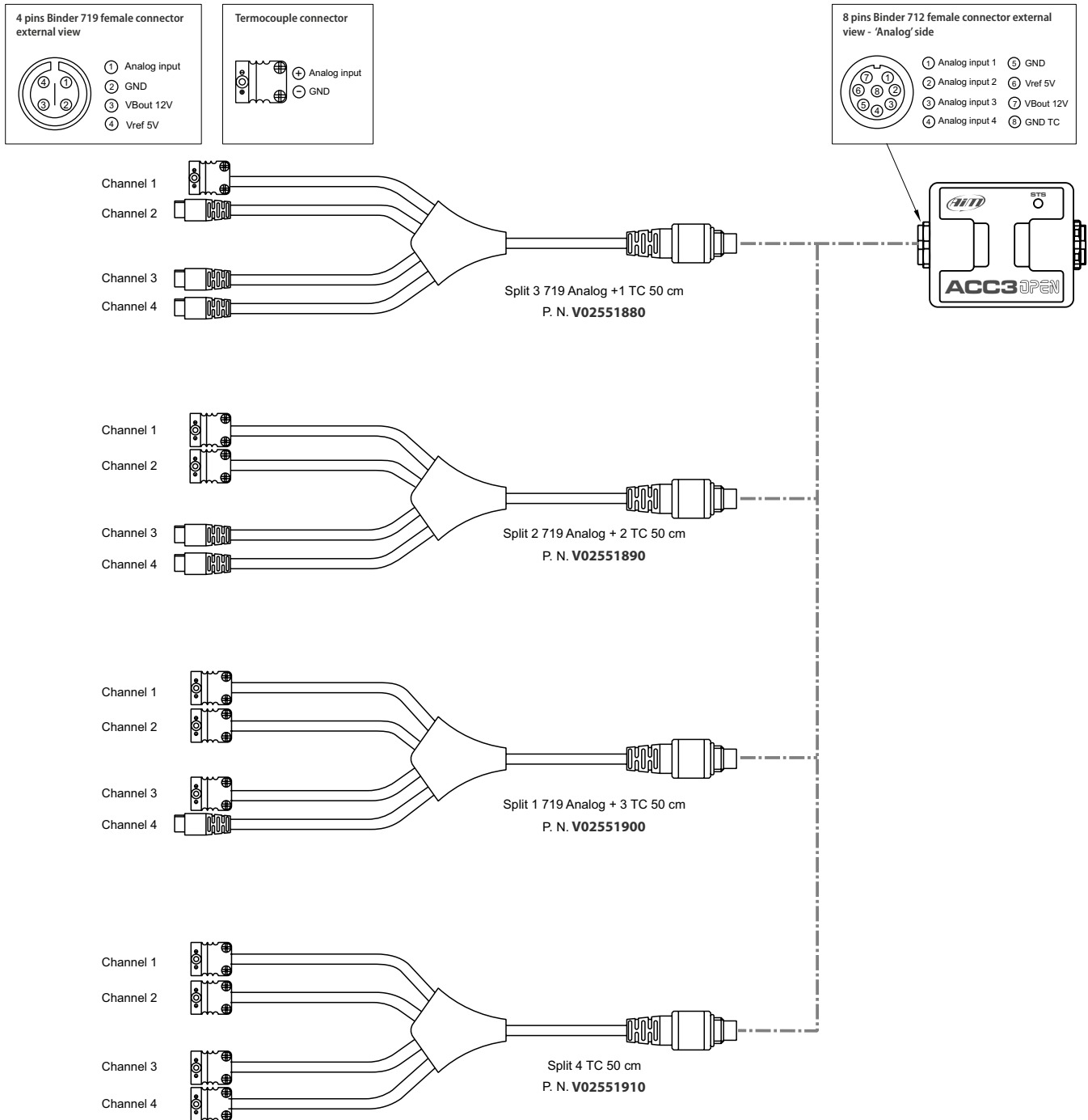




AiM ACC3 Open

Analog CAN Converter Open version

Connections: analog side 2

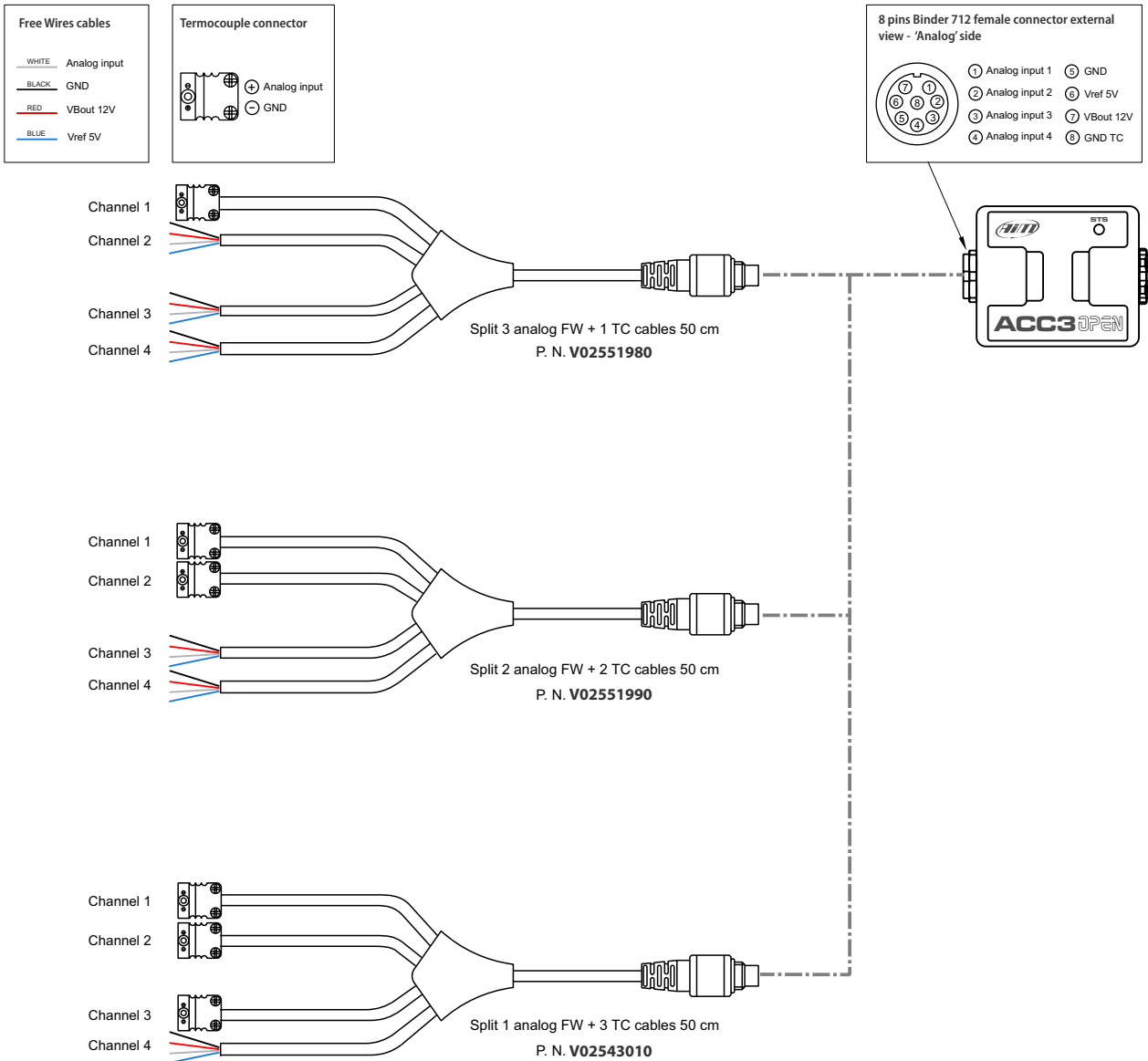




AiM ACC3 Open

Analog CAN Converter Open version

Connections: analog side 3

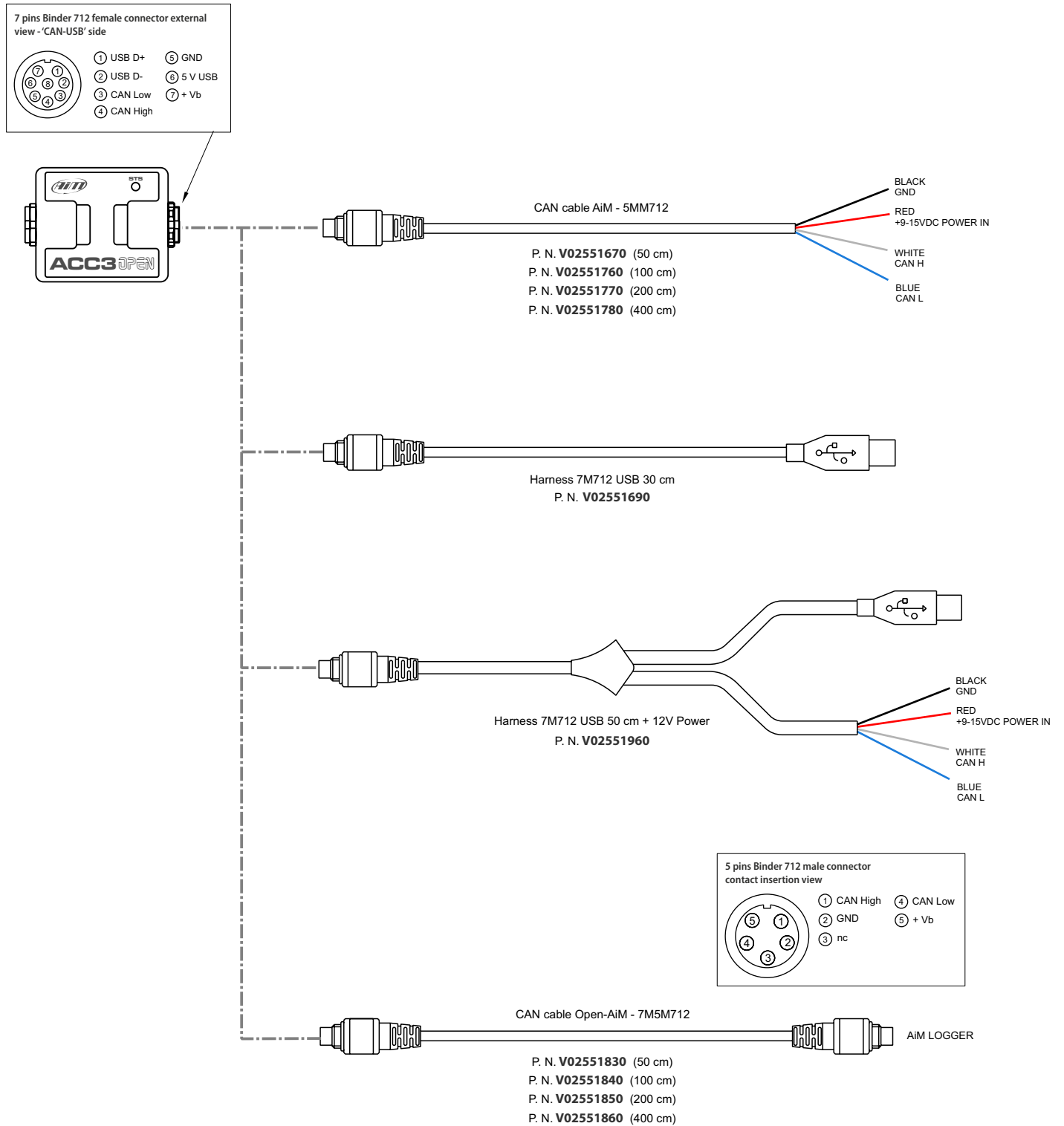




AiM ACC3 Open

Analog CAN Converter Open version

Connections: CAN-USB side





AiM ACC3 Open

Analog CAN Converter Open version

Available kits

X08ACC3OAP4200	ACC3 Open + Split 4 719 Analog 50 cm + CAN cable Open 7M712-FW 200 cm
X08ACC3OAP4400	ACC3 Open + Split 4 719 Analog 50 cm + CAN cable Open 7M712-FW 400 cm
X08ACC3OAP3200	ACC3 Open + Split 3 719 Analog 1 TC 50 cm + CAN cable Open 7M712-FW 200 cm
X08ACC3OAP3400	ACC3 Open + Split 3 719 Analog 1 TC 50 cm + CAN cable Open 7M712-FW 400 cm
X08ACC3OAP2200	ACC3 Open + Split 2 719 Analog 2 TC 50 cm + CAN cable Open 7M712-FW 200 cm
X08ACC3OAP2400	ACC3 Open + Split 2 719 Analog 2 TC 50 cm + CAN cable Open 7M712-FW 400 cm
X08ACC3OAP1200	ACC3 Open + Split 1 719 Analog 3 TC 50 cm + CAN cable Open 7M712-FW 200 cm
X08ACC3OAP1400	ACC3 Open + Split 1 719 Analog 3 TC 50 cm + CAN cable Open 7M712-FW 400 cm
X08ACC3OAP0200	ACC3 Open + Split 4 TC 50 cm + CAN cable Open 7M712-FW 200 cm
X08ACC3OAP0400	ACC3 Open + Split 4 TC 50 cm + CAN cable Open 7M712-FW 400 cm
X08ACC3OAP4FW200	ACC3 Open + Split 4 analog FW 50 cm + CAN cable Open 7M712-FW 200 cm
X08ACC3OAP4FW400	ACC3 Open + Split 4 analog FW 50 cm + CAN cable Open 7M712-FW 400 cm
X08ACC3OAP3FW200	ACC3 Open + Split 3 analog FW 1 TC 50 cm + CAN cable Open 7M712-FW 200 cm
X08ACC3OAP3FW400	ACC3 Open + Split 3 analog FW 1 TC 50 cm + CAN cable Open 7M712-FW 400 cm
X08ACC3OAP2FW200	ACC3 Open + Split 2 analog FW 2 TC 50 cm + CAN cable Open 7M712-FW 200 cm
X08ACC3OAP2FW400	ACC3 Open + Split 2 analog FW 2 TC 50 cm + CAN cable Open 7M712-FW 400 cm
X08ACC3OAP1FW200	ACC3 Open + Split 1 analog FW 3 TC 50 cm + CAN cable Open 7M712-FW 200 cm
X08ACC3OAP1FW400	ACC3 Open + Split 1 analog FW 3 TC 50 cm + CAN cable Open 7M712-FW 400 cm



AiM ACC3 Open

Analog CAN Converter Open version

Accessories & optional parts

V02551920	Split 4 719 Analog 3 cables 50 cm + 1 cable 100 cm
V02551720	Split 4 719 Analog 50 cm
V02551880	Split 3 719 Analog + 1 TC 50 cm
V02551890	Split 2 719 Analog + 2 TC 50 cm
V02551900	Split 1 719 Analog + 3 TC 50 cm
V02551910	Split 4 TC 50 cm
V02551930	Split 4 Analog FW cables 50 cm
V02551980	Split 3 Analog FW + 1 TC cables 50 cm
V02551990	Split 2 Analog FW + 2 TC cables 50 cm
V02543010	Split 1 Analog FW + 3 TC cables 50 cm
V02551670	CAN cable Open - 7M712-FW 50 cm
V02551760	CAN cable Open - 7M712-FW 100 cm
V02551770	CAN cable Open - 7M712-FW 200 cm
V02551780	CAN cable Open - 7M712-FW 400 cm
V02551830	CAN cable Open-AiM - 7M5M712 50 cm
V02551840	CAN cable Open-AiM - 7M5M712 100 cm
V02551850	CAN cable Open-AiM - 7M5M712 200 cm
V02551860	CAN cable Open-AiM - 7M5M712 400 cm
V02551690	Harness 7M712 USB 30 cm
V02551960	Harness 7M712 USB 50 cm + 12V Power