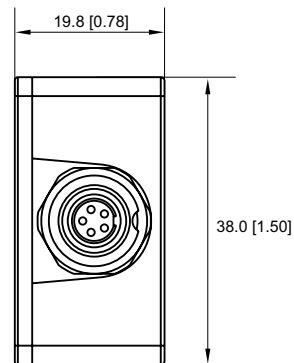
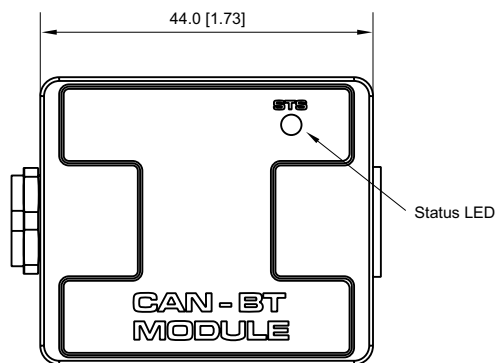
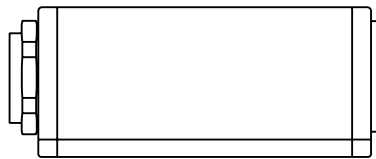
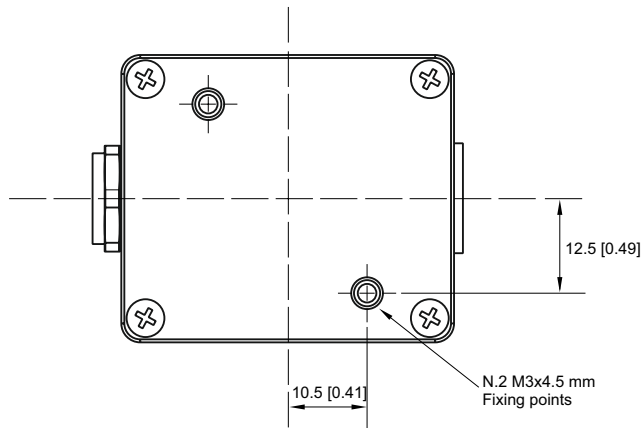




AiM CAN-BT Module

Off-road ECUs add-on for SPARK app



Dimensions in mm [inches]



AiM CAN-BT Module

Off-road ECUs add-on for SPARK app

Technical specifications

CAN-BT Module grants instant access to key engine data from your Taipan and Yarara ECU. Installing the **SPARK App** (for Apple iOS and Android) on your smartphone provides a streamlined, data-driven interface for real-time monitoring of live engine parameters.

External power	9÷15 V
Connections	CAN, BLE (Bluetooth Low Energy)
Connectors	1 Binder 712 female
Material	PA6 30% glass
Dimensions	44.0 x 38.0 x 19.8 mm
Weight	50 g
Waterproof	IP65

Part number

X08CANBTM00 CAN-BT Module + ECU AiM Harness 40 cm

Pinout

