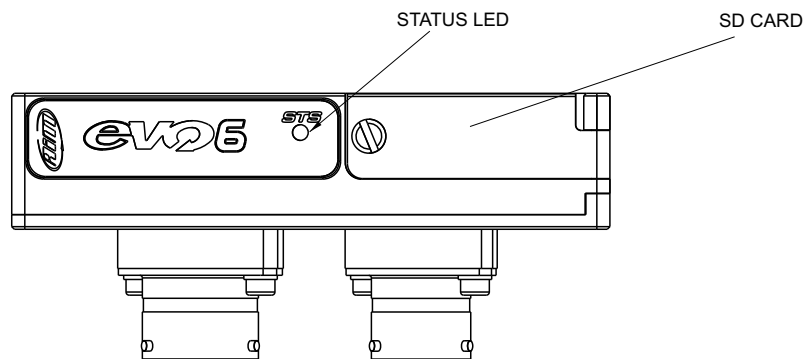
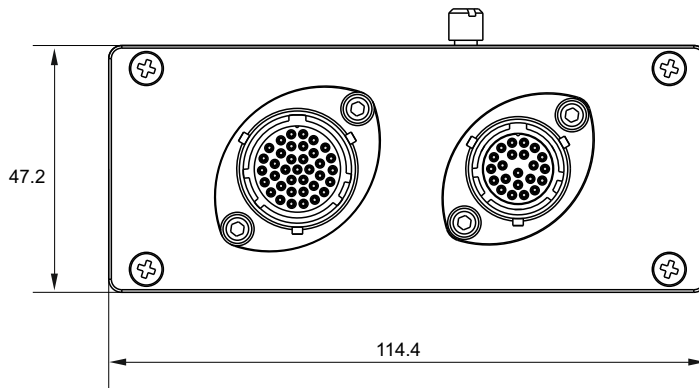
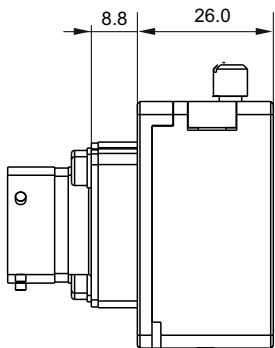
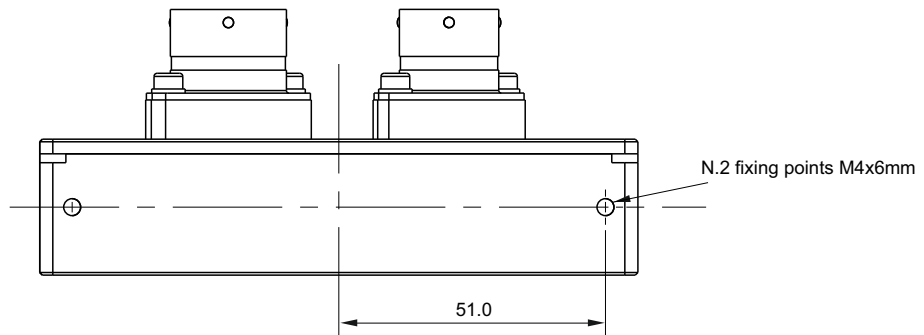




# AiM EVO6

Logger





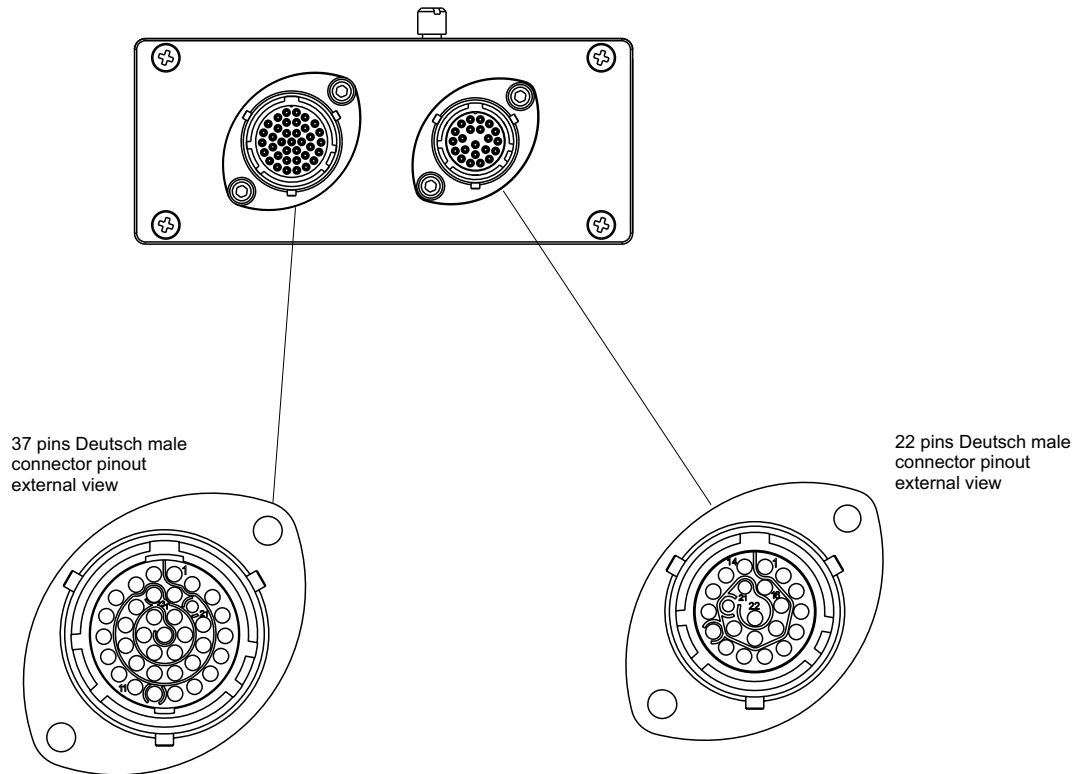
# AiM EVO6

## Logger

### Technical specifications

<b>ECU connection</b>	CAN, RS232 or K-Line to 2,000+ industry leading ECUs
<b>External modules</b>	GPS09c, LCU Series, SmartyCam 3 Series
<b>Analog inputs</b>	8 fully configurable: 0-5V, 0-12V, K thermocouples, max freq. 1,000 Hz each
<b>Digital inputs</b>	Coil RPM and 4 speed inputs
<b>Inertial platform</b>	Internal 3 axis $\pm 5G$ accelerometer + 3 axis gyro
<b>Digital outputs</b>	2, up to 1 Amp each
<b>Second CAN</b>	Yes
<b>Wi-Fi connection</b>	Yes
<b>Bluetooth</b>	Yes, Bluetooth Low Energy (BLE)
<b>Internal memory</b>	4 GB
<b>SD card</b>	Internal: up to 128 Gb
<b>Connectors</b>	2 Motorsport connectors
<b>Body</b>	Anodized Aluminum
<b>LEDs</b>	1 system status
<b>Dimensions</b>	114.4 x 47.2 x 26.0 mm
<b>Weight</b>	230 g
<b>Waterproof</b>	IP65

### Pinout



Pin	Function
1	9-15V Power input
2	Battery GND
3	CAN+Exp
4	GND
5	+Vbattery CAN
6	CAN- Exp.
7	+Vbext
8	CAN1+ ECU
9	CAN 1- ECU
10	GND
11	K Line ECU
12	USB D+
13	USB D-
14	GND
15	RPM
16	GND
17	+VBattery
18	Optical Lap
19	Speed1
20	GND

Pin	Function
21	+Vbattery
22	Analog Input 1
23	Analog GND
24	+Vbattery
25	+Vreference
26	Analog Input2
27	Analog GND
28	+Vbattery
29	+Vreference
30	Analog Input3
31	Analog GND
32	+Vbattery
33	+Vreference
34	Analog Input4
35	Analog GND
36	+Vbattery
37	+Vreference

Pin	Function
1	Analog Input 5
2	Analog GND
3	+Vbattery
4	+Vreference
5	Analog Input 6
6	Analog Input 7
7	Analog GND
8	+Vbattery
9	+Vreference
10	Analog Input 8
11	Speed 2
12	GND
13	+Vbattery
14	Speed 3
15	Speed 4
16	GND
17	CAN2+ ECU
18	CAN2- ECU
19	Digital output 1
20	Digital output 2
21	RS232TX
22	RS232RX