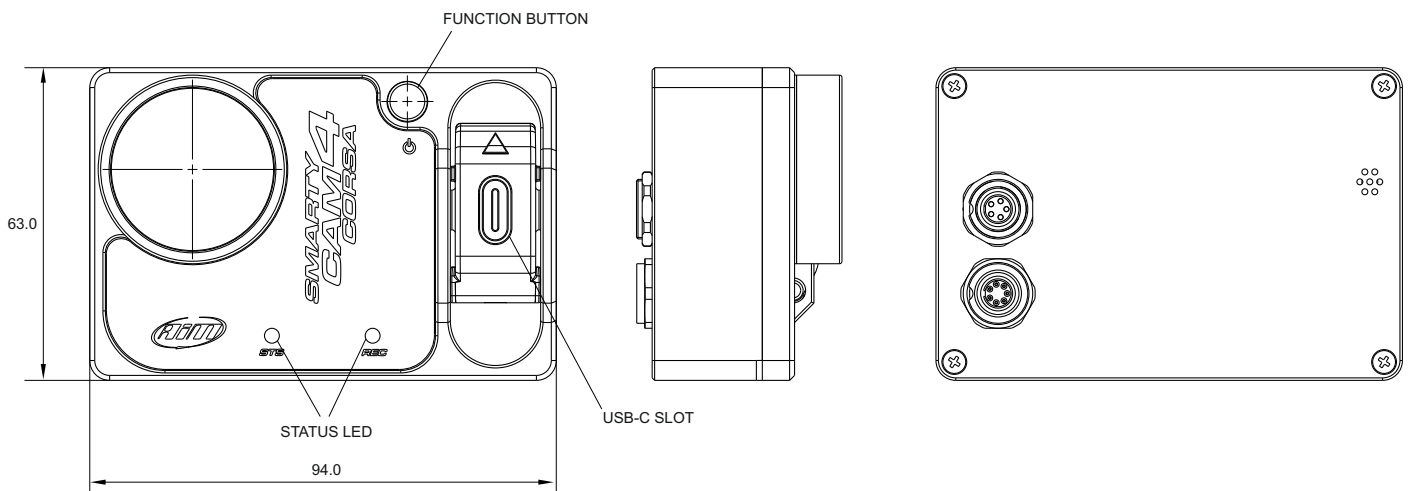
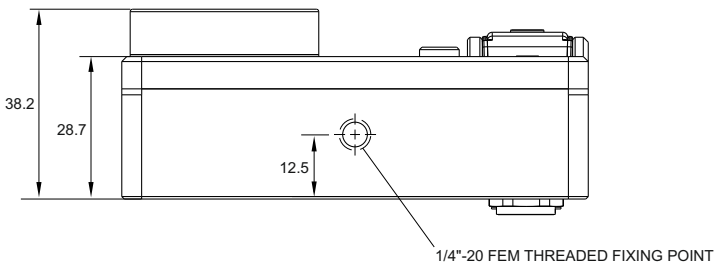




SmartyCam 4 Corsa

On-board camera

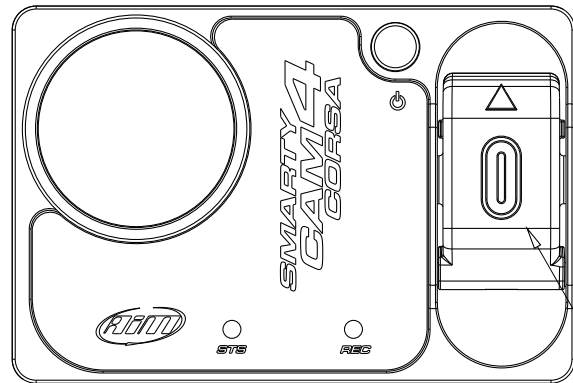
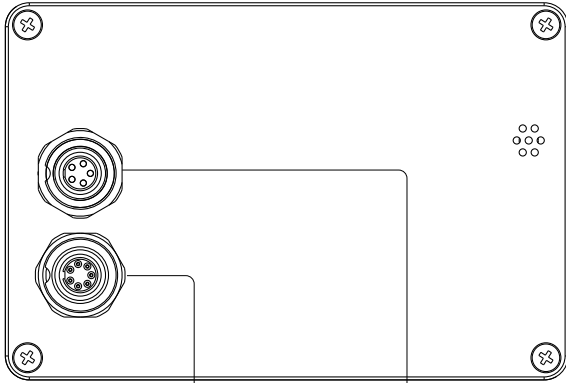




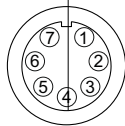
SmartyCam 4 Corsa

On-board camera

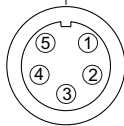
Pinout



USB - C
SLOT



Binder 7 pins female
connector - pinout
external view



Binder 5 pins female
connector - pinout
external view

| ECU-MIC | |
|---------|----------|
| 1 | ECU CAN+ |
| 2 | GND |
| 3 | +Vbout |
| 4 | ECU CAN- |
| 5 | +Vbext |
| 6 | Ext Mic- |
| 7 | Ext Mic+ |

| EXP | |
|-----|----------|
| 1 | AIM CAN+ |
| 2 | GND |
| 3 | +Vbout |
| 4 | AIM CAN- |
| 5 | +Vbext |



SmartyCam 4 Corsa

On-board camera

Technical characteristics

| | |
|--|--|
| Video format | H.264/H.265 configurable 1,920 x1,080 pixels @ 30/60 fps |
| Lens | Low distortion lens 85° |
| Sensor | Sony 12 MP CMOS |
| Stabilizer | LSI Sony for enhanced features |
| Connection | USB - Wi-Fi - BLE (Bluetooth Low Energy) |
| Streaming | Via USB or Wi-Fi |
| Internal battery | Rechargeable LiPo battery |
| External power | 9-15 Volt |
| Supported memory | USB-C Drive up to 2 TB |
| Connectors | 2 Binder 712 female, 1 USB-C |
| Temperatures working range | -10°C/+50°C |
| Auto Power ON/OFF | Yes |
| Auto Start/Stop Recording | Yes |
| Body | Anodized Aluminum |
| Dimensions | 94 x 63 x 28.7 mm |
| Weight | 260 g, battery included |
| RaceStudio 3 app & software | Yes |
| Waterproof | IP65 |