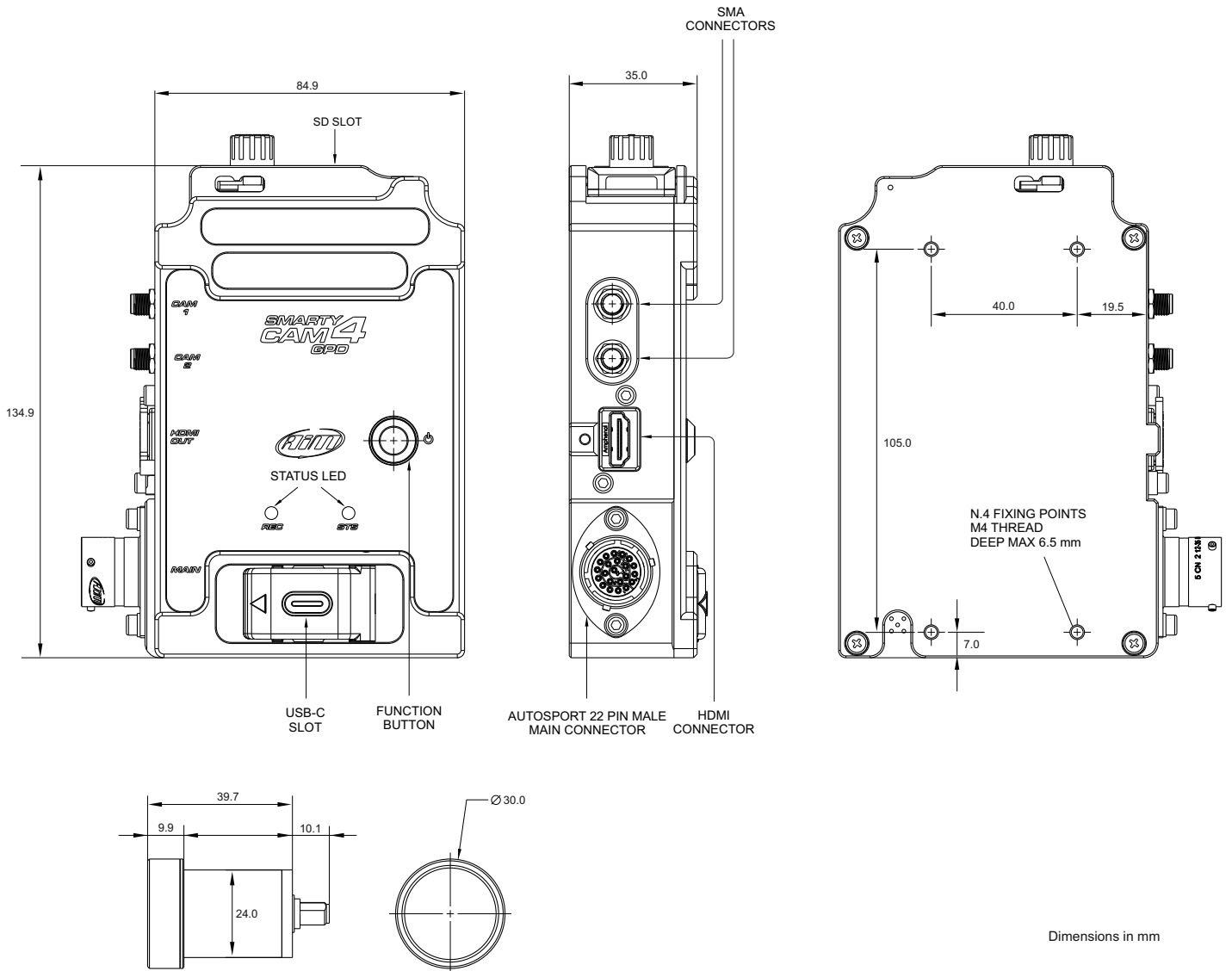




SmartyCam 4 GPD

On-board camera



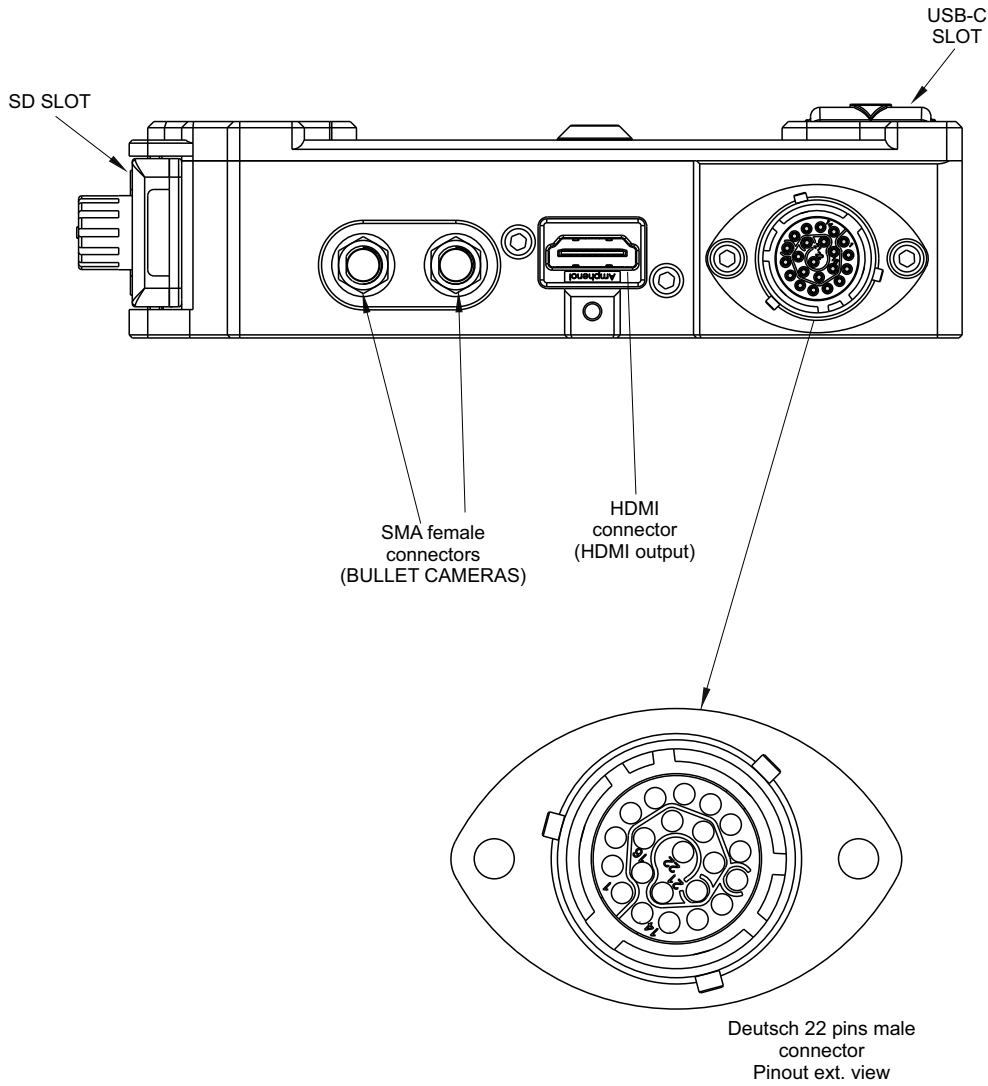
Dimensions in mm



SmartyCam 4 GPD

On-board camera

Pinout



Pin	Deutsch 22 pins
1	9-15V Power in
2	+Vbext
3	+Vbout
4	BI_DA+*
5	BI_DA-*
6	BI_DC+*
7	BI_DC-*
8	BI_DB+*
9	BI_DB-*
10	GND
11	GND
12	NC
13	ECU CAN -
14	Ext MIC -
15	Ext MIC +
16	AIM CAN-
17	AIM CAN+
18	BI_DD-*
19	BI_DD+*
20	GND
21	ECU CAN +
22	NC

*Ethernet



SmartyCam 4 GPD

On-board camera

Technical characteristics

Video format	H.264/H.265 configurable 1,920 x1,080 pixels @ 30/60 fps
Lens	Low distortion lens 85°
Sensor	Sony 12 MP CMOS
Stabilizer	LSI Sony for enhanced features
Connection	USB - Wi-Fi - Bluetooth Low Energy (BLE)
Streaming	Via HDMI, USB or Wi-Fi
Internal battery	Rechargeable LiPo battery
External power	9-15 Volt
Supported memory	USB-C Drive up to 2 TB + SD Card up to 2 TB
Connectors	2 SMA, 1 USB-C, 1 Deutch 22 pins, 1 HDMI
Temperatures working range	-10°C/+50°C
Auto Power ON/OFF	Yes
Auto Start/Stop Recording	Yes
Body	Anodized Aluminum
Dimensions	134.9 x 84.9 x 35.0 mm (main unit), Ø30.0 x 49.8 mm (bullet)
Weight	Main unit 380 g, battery included
RaceStudio 3 app & software	Yes
Waterproof	IP65